



***P.O. Box 404, 221 Turnpike Road, Southborough, MA 01772, (508) 485-1307***

## POOL OPENING INSTRUCTIONS

I. Pool Opening Chemicals	pg. 2
2. Preparation of Pool Fittings	pg. 2
3. Filter Preparation	
A. Sand Filters	pg. 3
B. Cartridge Filters	pg. 3
C. Diatomaceous Filters	pg. 4
4. Pump Preparation	
A. Duraglas Pumps	pg. 4
5. Gas Heater Preparation	pg. 4
6. Initial Filter Operation	pg. 5
7. Removing Winter Covers	
A. Solid Winter Cover	pg. 5
B. Mesh Winter Cover	pg. 6
C. Loop-Loc Safety Cover	pg. 6
8. Ladders and Handrails	pg. 7
9. Chemical Feeders	pg. 7
10. Automatic Pool Cleaners	pg. 8
11. Additional Information and Advice	pg. 8

***Fax (508) 485-9282, [www.mccarthypools.com](http://www.mccarthypools.com), [mpc@mccarthypools.com](mailto:mpc@mccarthypools.com)***

## I. POOL OPENING CHEMICALS

Pool clean up in the Spring is a combination of oxidation and filtration. The key to clearing cloudy or green water is consistent filtration and chemical addition.

### **Synergy Pool Care System, Granular Chlorine, Stabilized Chlorine Tablets, Chlorine Generators**

A. LIQUID SHOCK - 4 or more gallons are recommended. It is the safest way to super-chlorinate the pool water.

B. SEA KLEER - 1 or more quarts are recommended to prevent minerals in the pool water from causing green discolored water and staining on the liner.

C. ALKALINITY INCREASER - At least 10 lbs. is recommended to help raise the Total Alkalinity of the pool water. ALKALINITY INCREASER helps to stabilize the pH level and helps to prevent corrosion of metal pipes, pumps, heaters, etc...

D. CHLORINE STABILIZER - Helps retain chlorine residual. Add to pool when water is clean and clear. Do not add until your water has been tested and the proper amount needed has been determined.

#### ORDER IN WHICH TO ADD THE OPENING CHEMICALS

1. Add SEA KLEER directly into pool water
2. Broadcast ALKALINITY INCREASER into pool water
3. Wait 2-6 hours
4. Add 4 gallons of LIQUID SHOCK
5. Add CHLORINE STABILIZER after water has been tested

\*If the pool water is relatively clean and clear and you can see the pool floor, it is recommended that you vacuum the pool to "Waste" before adding the pool opening chemicals. This procedure is described in your filter operation manual.

\*\*If due to time constraints this procedure cannot be followed, you may add all the chemicals into the pool water at the same time (except the CHLORINE STABILIZER).

\*\*\*It is highly recommended that you bring a pool water sample to our Showroom for a complete water analysis test. We will be able to determine the correct amounts of CHLORINE STABILIZER, SYNERGY INITIATOR and/or SALT needed to properly balance your pool water. We will also ensure that your Total Alkalinity, Total Hardness, and pH are at the proper levels eliminating the potential of corrosive damage to metal pool components. You should have your pool water levels tested at least once every three weeks.

\*\*\*\*Salt Generators should not be turned on until your salt readings are at the proper level.

## 2. PREPARATION OF POOL FITTINGS

A. WALL SKIMMER - Remove the green "Gizmo" or plug from skimmer. Reinstall Skimmer Basket or replace if necessary. Ensure that the Weir (skimmer door) moves freely.

B. SIDE WALL SUCTION AND RETURN - Remove the plugs from the side wall fittings. Install a SAFETY GRATE in the side wall suction (if you have one) and a HYDROSWEEP into the side wall return fittings.

### 3. FILTER PREPARATION

#### A. SAND FILTERS

1. Replace drain plug or cap on bottom of filter tank.
2. Multiport Valves
  - a. Top Mount Valves - install pressure gauge, move multiport selector handle to "Waste", open Backwash Gate Valve
  - b. Side Mount Valves - reconnect valve to filter tank by tightening bulkhead nuts (do not over tighten nuts with a wrench), install pressure gauge, move multiport selector handle to "Waste", open Backwash Valve
3. Backwash Line - make sure that the backwash line has been reconnected or that your discharge hose is intact.

#### B. CARTRIDGE FILTERS

1. STA-RITE MODULAR MEDIA FILTER
  - a. Replace 1 1/2" plug at bottom of filter tank
  - b. Install both filter cartridges
  - c. Install filter tank top and tighten mounting plates (hand-tight)
2. STA-RITE POSI-FLO SERIES
  - a. Install two 3/4" plugs into base (plug threads should be wrapped in teflon tape)
  - b. Install filter cartridge
  - c. Inspect base oring and replace if stretched or worn
  - d. Assemble filter by installing tank top on base and tightening base clamp
  - e. Install pressure gauge

#### C. DIATOMACEOUS FILTERS

1. Install filter nest
2. Assemble filter tank
3. Install Multiport Valve - reconnect valve to filter tank by tightening bulkhead nuts (do not over tighten nuts with a wrench), install pressure gauge, move multiport selector handle to "Waste", open Backwash Gate Valve

\*All D.E. Filter elements should be chemically cleaned prior to Spring opening. If this was not done the previous Fall, please do so before starting up the filter.

### 4. PUMP PREPARATION

#### A. STA-RITE DURAGLAS PUMP (Plastic Housing)

1. Install two 1/4" drain plugs in pump housing (if they were removed in the fall)
2. Place pump basket in pump housing
3. Inspect pump cover oring and replace if stretched or worn
4. Close the Main Suction and Skimmer Valves
5. Fill the pump housing with water and screw on pump cover
6. Turn on motor
7. Slowly open the Main Suction Valve until completely open
8. Let the motor run for 3 minutes or until fully primed, then open the Skimmer Valve (only if the pool water level is at the middle of the Skimmer Faceplate)

\*If the pump will not prime, check all plugs, petcocks, orings, and fitting connections at the pump housing and manifold. The pump must be air tight to pick up the prime.

## 5. GAS HEATER PREPARATION

- A. Replace all drain plugs
- B. Close all petcocks
- C. Reconnect copper tubing for the pressure switch (not necessary on RayPak heaters with capron headers)

## 6. INITIAL FILTER OPERATION

### A. SAND FILTERS

1. Once the pump is primed, shut off the motor and move the multiport selector handle to the "Waste" position, turn the motor on, and let run for 2 minutes
2. Shut off motor again and move the multiport selector handle to "Filter" position, close backwash valve, and turn on the motor
3. There should be a strong flow of water returning into the pool from the Side wall Return fitting
4. If the pool water is relatively clean and clear and you can see the pool floor, it is recommended that you vacuum the pool to "Waste" before adding the pool opening chemicals (refer to you filter operation manual)

### B. CARTRIDGE FILTERS

1. When the pump is primed, there should be a strong flow of water returning into the pool from the Side wall Return fitting
2. If the pool water is relatively clean and clear and you can see the pool floor, it is recommended that you vacuum the pool to "Waste" before adding the pool opening chemicals (refer to you filter operation manual)

### C. DIATOMACEOUS EARTH FILTERS

1. Once pump is primed, shut off the motor and move the multiport selector handle to the "Filter" position
2. Turn on motor
3. Add the manufacturer's recommended amount of Diatomaceous Earth into the Skimmer
4. There should be a strong flow of water returning to the pool from the Side wall Return fitting
5. If the pool water is relatively clean and clear and you can see the pool floor, it is recommended that you vacuum the pool to "Waste" before adding the pool opening chemicals (refer to you filter operation manual)

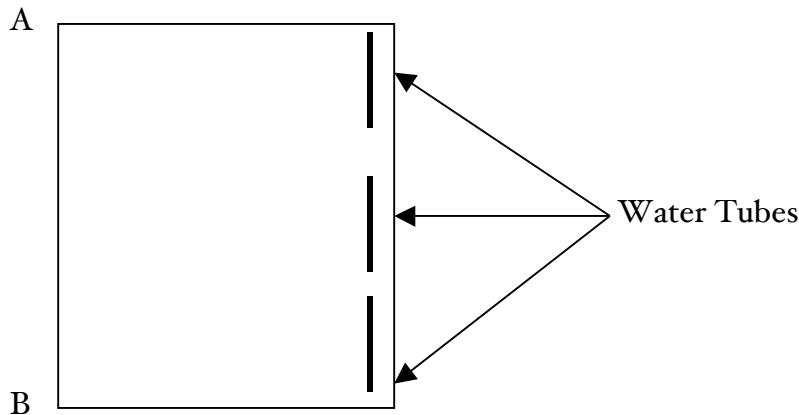
## 7. REMOVING THE WINTER COVER

### A. REMOVING A SOLID POOL COVER

1. Pour at least two gallons of LIQUID SHOCK on top of the pool cover three days prior to removing the cover (if possible)
2. Start up filter system the day you are going to remove the pool cover
3. Connect the pool vacuum cleaning equipment to the pool side skimmer as if you were going to vac the pool (if there is water in the skimmer chamber)

- a. Attach the vac hose to the vac head
  - b. Attach the Skim Vac to the other end of the vac hose
  - c. Attach the vac head to the vac pole
  - d. Fill the vac hose up with water
  - e. Place Skim Vac over skimmer basket
4. Place the vac head and pole on the pool cover where the water is the deepest
    - a. Do not let the vac head sit flat on the pool cover; place your skimmer cover on the pool cover and rest the vac head on it
  5. Start the pool motor and make sure a full prime is achieved
  6. When the pool pump is fully primed, close the main suction valve
  7. The vac will pump the dirty water off the cover and into the pool filtering system where it will be cleaned prior to returning into the pool (be sure to monitor this process; if the pool pump loses the prime and runs dry it could be damaged)
  8. When most of the water on top of the cover has been pumped off, the pool pump will lose the prime and it should be shut off
  9. Remove the leaves and debris left on the pool cover
  10. Remove the water tubes on three sides of the cover leaving one side still anchored (see Figure 1 below)

Figure 1



11. Grab the cover at corners A and B (see Figure 1) and pull cover over to the side of the pool where the water tubes are anchored
12. Bail out the remaining water left on the cover which should now be “puddled” on the pool cover at the water tube side of the pool
13. Take the pool cover completely off the pool by flipping it over the water tubes and onto the deck
14. Pool cover should be washed, dried, folded and stored away from rodents and insects (your cover warranty does not include damage incurred from improper storage)
15. Refer to “Pool Opening Chemicals” on page 2

\*If you remove the water from your winter cover by any other means than what is described above, be sure to have water running into the pool under the cover at the same time and at the same rate as the water is being removed from on top of the cover. If you have any questions, please call us at (508) 485-1307.

## B. REMOVING A MESH COVER

1. Remove all the leaves and debris from the top of the pool cover
2. Pull the pool cover as tight as possible allowing water to drain through the pool cover into the pool
3. Remove the water tubes on three sides of the cover leaving one side still

anchored

4. Grab the cover at corners A and B (see Figure 1) and pull cover over to the side of the pool where the water tubes are anchored
5. Take the pool cover completely off the pool by flipping it over the water tubes and onto the deck
6. Pool cover should be washed, dried, folded and stored away from rodents and insects (your cover warranty does not include damage incurred from improper storage)
7. Refer to "Pool Opening Chemicals" on page 2

### C. REMOVING A LOOP LOC COVER

1. Remove any debris on top of Loop Loc cover
2. To remove Loop Loc cover
  - a. Insert Installation Rod over anchor bolt with heel of rod facing cover (see Figure 2 below)
  - b. Pressing downward, rotate rod 180 degrees so that heel of rod is between anchor bolt and retaining ring (see Figure 3 below)
  - c. Tilt rod slightly toward cover until retaining ring slides off of anchor bolt
  - d. Release all the springs and remove cover from pool
3. Pool cover should be washed, dried, folded and stored away from rodents and insects (your cover warranty does not include damage incurred from improper storage)
4. Refer to "Pool Opening Chemicals" on page 2

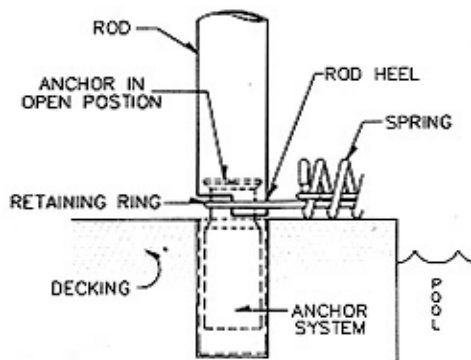


Figure 2

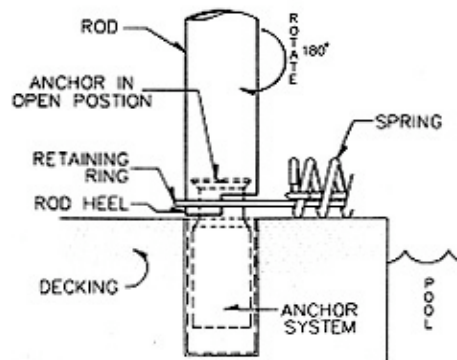


Figure 3

## 8. LADDERS AND HANDRAILS

### A. LADDERS

1. Replace the rubber bumpers at the bottom of the ladder
2. Apply waterproof grease to the insides of the ladder anchors and to the outside ends of the ladder
3. Insert ladder into the anchors and tighten anchor screws (Do not over tighten)

### B. HANDRAILS

1. Apply waterproof grease to the insides of the handrail sockets and to the outside ends of the handrail
2. Loosen wedge screw (soak in WD-40 if needed)
3. Insert handrail into the sockets and tighten wedge screw (Do not over

tighten)

## 9. OFF LINE CHEMICAL FEEDERS

- A. Reconnect the IN and OUT Lines to the Feeder and to the clamp assemblies on the pump plumbing
- B. Replace cover oring if needed
- C. We do not recommend the use of Stabilized Chlorine until the pool water is clean and clear; you should use a non-stabilized chlorine such as LIQUID SHOCK or GRANULAR CHLORINE to clear the pool water

## 10. AUTOMATIC CLEANERS

- A. Automatic pool cleaners such as the Sta-Rite Great White, Arneson Pool Vac, and the Polaris should not be used until the pool has been cleaned manually. These cleaners are designed to maintain a clean pool and not clean up a pool that has just been opened.

## 11. ADDITIONAL ADVICE AND INFORMATION

### A. SOLAR COVERS

1. When the solar cover is not on the pool, it is best to keep it in a poly bag or out of the sunlight
2. The warmer the water gets the greater the potential for algae; chemically treat the pool accordingly with an algaecide

### B. CHLORINE STORAGE

1. Do not store chlorine near metal objects - chlorine vapors may cause metal objects to rust and pit
2. Do not store chlorine near combustible materials

### C. HIGH WATER TABLE

1. It is very important to keep the pool filled with water to counteract the pressure placed on the pool walls from the water table in the ground
2. The proper water level is half way up the skimmer faceplate